

Rebel Dehumidifier

(Models: F165, F165-RX, F165-GS)

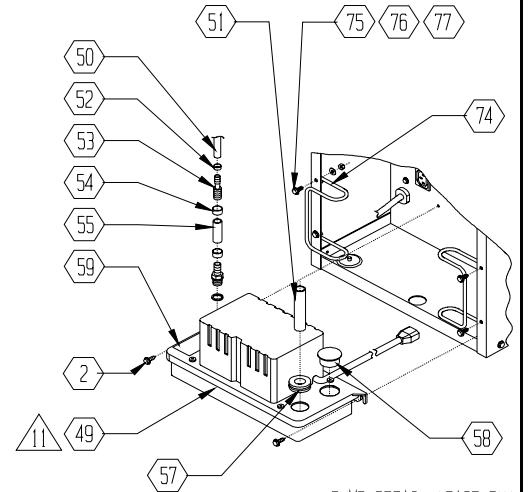
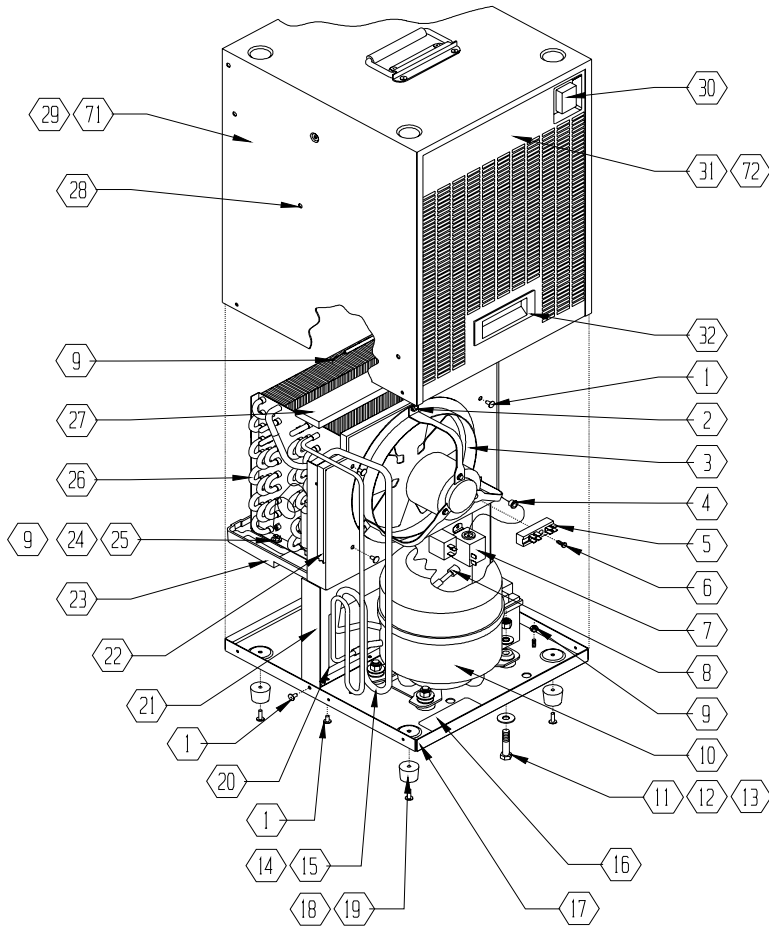
Symbol Definition

- * - multiple components to choose from for different models: voltage, size, color, etc.
- + - if you order this item, you may need to order additional items marked with same number of +'s in order to upgrade or complete repair

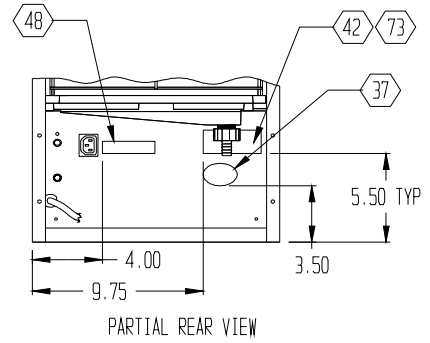
Find#	Part Description	Specifications/Model	Part #	Qty
5	Terminal Block	Gp 4 x 4 Screw	02-00078	ea. 1
47	Outlet	Power Rec IEC 320 Pushin, Electrical	02-00081	ea. 1
30	Switch	115v, Red Rocker w/Splashguard	02-00255	ea. 1
32	Handle	Flush Mount, Black	03-00002	ea. 1
18	Foot	3/16 ID x 1.125" OD x .875 Rubber Blk	03-00003	ea. 4
69	Spacer	1 Dia Tube Nylon Blk - Handle (F165-RX)	03-00009	ea. 4
	Cable Tie	Nylon 4"	03-00012	ea. 6
76	Washer	3/16 Rivet Zp. W-6 (Pump Kit)	03-00013	ea. 4
45	Washer	3/16" Rivet .19 ID x .47 OD x .05 Zp	03-00013	ea. 4
6	Screw	#8 x 1/2" Phil Ph Zp	03-00023	ea. 1
58	Cap	Plastic Blk 1.125 Dia. (F165-RX)	03-00027	ea. 1
77	Nut	#10-24 w/ Star Washer Zp (Pump Kit)	03-00038	ea. 4
9	Nut	#10-24 w/ Star Washer Zp	03-00038	ea. 9
19	Rivet	3/16" x 5/8" Stl/Stl Zp	03-00039	ea. 4
28	Plug	.187 Dia Nylon Black	03-00071	ea. 12
2	Screw	#10 x 3/8" AB Stl Ser Hmh Zp Blk	03-00079	ea. 13
12	Bolt	5/16"-18 x 1 1/2" Lg Hex Hd Cap Zinc	03-00085	ea. 4
11	Washer	.375 (3/8") ID x .875 (7/8") OD x .07 Zp	03-00086	ea. 8
13	Nut	5/16"-18 Nyloc Zp	03-00098	ea. 4
1	Rivet	3/16" x 1/4" Stl/Stl Blk SB6-4	03-00432	ea. 18
52	Clamp	3/8" ID Hose Green (1/4" Dia Spring Stl Grn)	03-00471	ea. 1
64	Bolt	Oval Hd Phil 10-24 X 7 -Axle (F165-RX)	03-00490	ea. 3
65	Nut	#10-24 Nyloc Zp-Axle (F165-RX)	03-00491	ea. 3
60	Pin	Hitch, #17 Zp (F165-RX)	03-00501	ea. 2
61	Washer	1 1/4" x 1/2" x .062 SS (F165-RX)	03-00502	ea. 4
68	Bolt	Oval Hd Phil Mach 1/4-20 x Handle (-RX)	03-00503	ea. 4
39	Screw	#8-32 x 1/4 TF Class 2 Hwh Zp	03-00962A	ea. 2
54	Clamp	Hose, 1/2" ID Yellow (F165-RX)	03-01059	ea. 2
75	Screw	#10-24 x 1/2" Slot Stl Hwh Z (Pump Kit)	03-01429	ea. 4
25	Screw	#10-24 x 1/2" Slot Stl Hmh Zp	03-01429	ea. 4
-	Hose Clamp	3/4" Blk	03-01464	ea. 6
-	Insert	Bottom Foam (F165, F165-GS)	06-00009	ea. 1
-	Insert	Corner Foam (F165, F165-GS)	06-00014	ea. 4
-	Insert	Bottom 15.5 x 10.5 x 5.5 (F165-RX)	06-00043	ea. 1
-	Box	21" x 19.5" x 25.25" (F165-RX)	06-00044	ea. 1

Find#	Part Description	Specifications/Model	Part #	Qty
70	Label	Operating Instructions (F165-GS)	07-00050	ea. 1
73	Label	Model/Serial Number UL/CUL (F165-GS)	07-00165	ea. 1
-	Manual	Owners Groom & Show (F165-GS)	07-00232	ea. 1
16	Label	Warning, Caution	07-01432	ea. 1
26	Coil Assy	Evaporator / Condenser	08-00023	ea. 1
17	Base	Galvanized	08-00064	ea. 1
71	Cover Assy	Pc Tx Fisher Blue (F165-GS)	08-00081	ea. 1
34	Filter Shroud	w/ Finish PC Wrk Blk	08-00083	ea. 1
3	Fan Shroud Assy	115v, 8" Dia 9W 1550 RPM	08-00095	ea. 1
22	Gasket	1/2" x 3/16" x 51" Psa	08-00097	ea. 1
27	Gasket	Condenser Psa	08-00102	ea. 1
43	Handle	Chest w/ Finish, Spring PC Blk (F165, -GS)	08-00112	ea. 1
74	Hose Wrap	Wire Form w/PC Wrk Blk (Pump Kit)	08-00114	ea. 2
	Pump, Centrifugal	115v, 60Hz Centrifugal (Pump Kit-F144)	08-00117	ea. 1
63	Axle	1/2" Dia x 18.5" Nickel Plate (F165-RX)	08-00130	ea. 1
21	Bulkhead	Galvanized	08-00134	ea. 1
-	Refrigerant	R134A (\$25 Flat Fee)	08-00139	oz. 12
10	Compressor	115v, 3926 BTU Recip R134a	08-00141	ea. 1
23	Drip Tray	ABS Blk	08-00142	ea. 1
38	Flange	Filter Shroud ABS Blk	08-00143	ea. 2
8	Valve	Line Service 5/16 Dia Copper	08-00144	ea. 1
-	Overload	Rebel/DZ80	08-00239	ea. 1
-	Relay	Rebel/DZ80	08-00250	ea. 1
	Defrost Control	115v/230v , Thermostat SPST	08-00308	ea. 1
15	Insulation	Pipe, 3/8" ID x 3/8 Wall Vinyl (36")	08-00785	ft. 3'
62	Wheel	9" x 1.75 x 1/2" Bore Black (F165-RX)	13-00861	ea. 2
44	Plug	Metal 1" Dia (F165-RX)	13-01190	ea. 2
50	Tubing	Vinyl, 3/8 OD x 1/4" ID x 1/16" (F165-RX)	15-00195	ft. 40'
55	Tubing	Vinyl, Clear 3/8 ID x 1/2 OD (2") (-RX)	15-01058	ft. .17'
51	Tubing	1/2" ID x 3/4" OD x .125 Wall (5") (-RX)	15-01463	ft. 0.42'
36	Tubing	1/2" ID x 3/4 OD x .125 Wall Vinyl (30")	15-01463	ft. 2.5'
35	Hose End	1/2" HB TCF-74, 3/4 Fght	18-00508	ea. 1
53	Fitting	3/8 x 1/4 Connector, Hose Barb (F165-RX)	18-01052	ea. 1

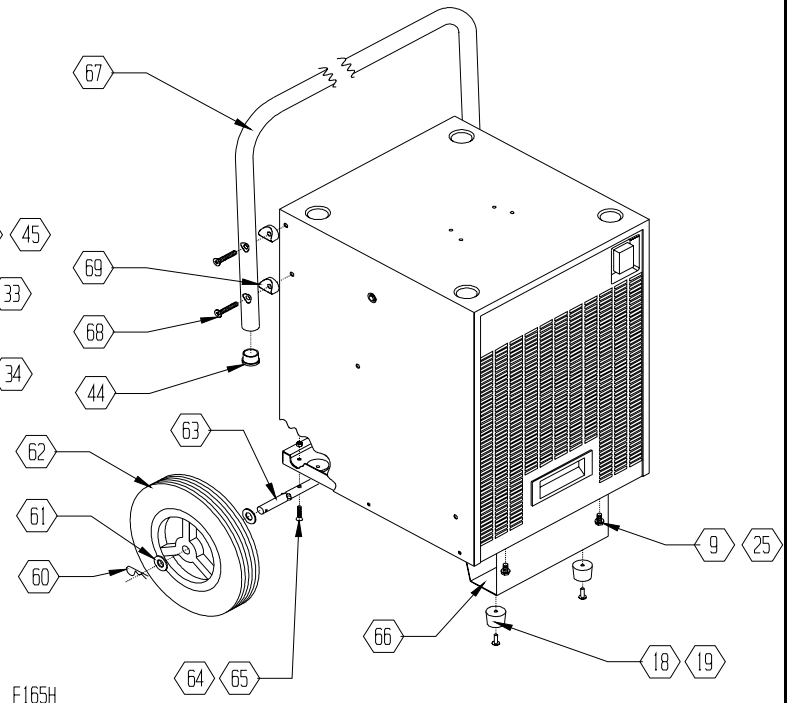
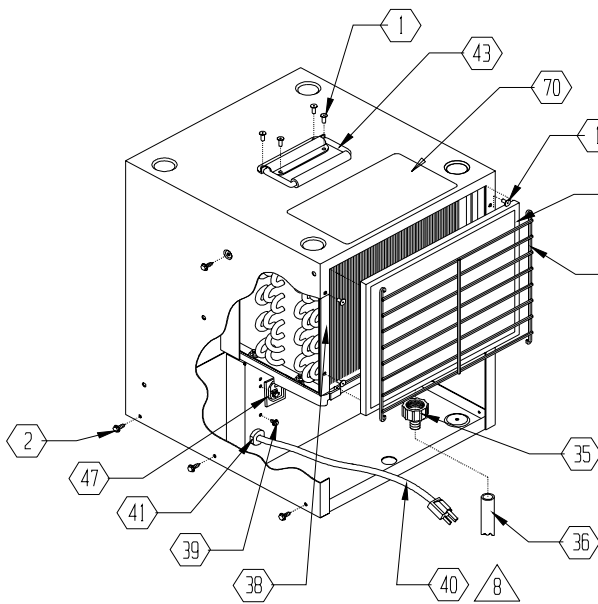
Rebel Dehumidifier Pictorial Drawing



PUMP DETAIL (F165-RX)



PARTIAL REAR VIEW



F165H

WHEELS AND HANDLE DETAIL (F165-RX)